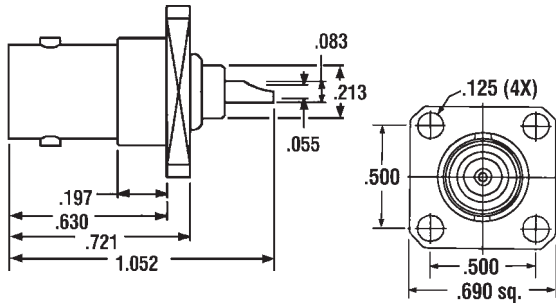


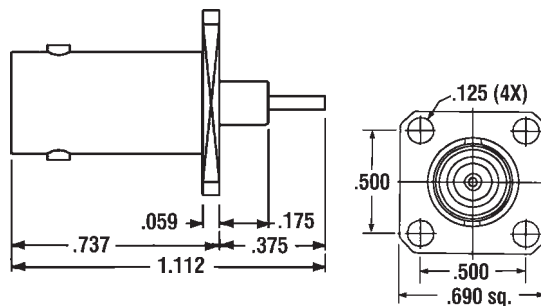
### FLANGE MOUNT JACK



### RECEPTACLE

MODEL	2215A-*
NOTES	captured center contact extended teflon solder pot terminal

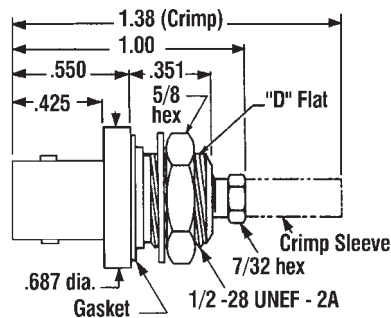
### FLANGE MOUNT JACK



### RECEPTACLE

MODEL	2204-CC-*
NOTES	captured center contact blunt post

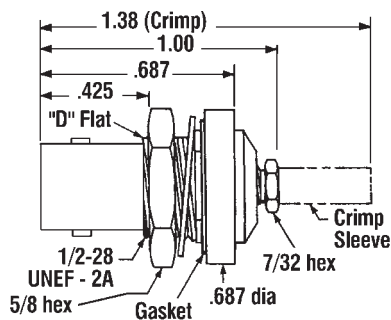
### FRONT MOUNT BULKHEAD JACK



### FOR FLEXIBLE, SEMI-RIGID OR ULTRA-FLEX CABLE

MODEL	2578-5XX-*	2578-7XX-*	2578-4XX-*
CABLE GROUP	23, 24, 26, 29	23, 24, 26, 29	30, 31
NOTES	clamp type for flexible cable	crimp type for flexible cable	solder-clamp for semi-rigid and Ultra-Flex cable

### REAR MOUNT BULKHEAD JACK



### FOR FLEXIBLE, SEMI-RIGID OR ULTRA-FLEX CABLE

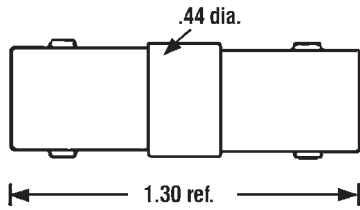
MODEL	2540-5XX-*	2540-7XX-*	2540-4XX-*
CABLE GROUP	23, 24, 26, 29	23, 24, 26, 29	30, 31
NOTES	clamp type for flexible cable	crimp type for flexible cable	solder-clamp for semi-rigid and Ultra-Flex cable

\*-1 indicates gold plating, -4 indicates silver plating, -7 indicates nickel plating.

# BNC INTRA-SERIES ADAPTERS



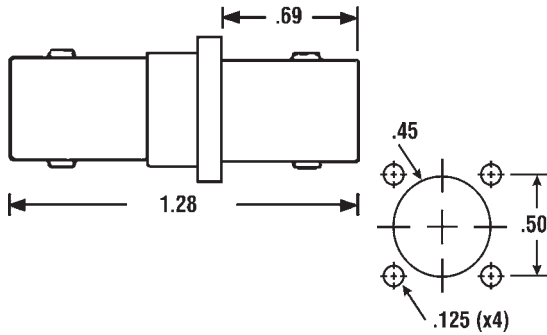
## FEMALE TO FEMALE ADAPTER



## STRAIGHT IN-LINE

MODEL	2217-*	2217-75-*
NOTES	50 Ohms silver plated center conductor	75 Ohms silver plated center conductor

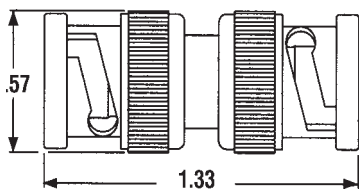
## FEMALE TO FEMALE ADAPTER



## PANEL MOUNT

MODEL	2145-*	2145-75-*
NOTES	50 Ohms silver plated center conductor	75 Ohms silver plated center conductor

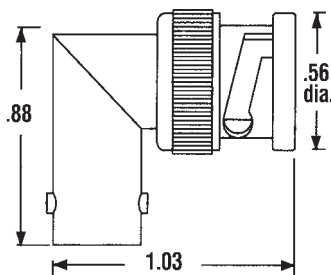
## MALE TO MALE ADAPTER



## STRAIGHT IN-LINE

MODEL	2218-*	2218-75-*
NOTES	50 Ohms	75 Ohms

## MALE TO FEMALE ADAPTER



## RIGHT ANGLE

MODEL	2219-*	2219-75-*
NOTES	50 Ohms silver plated center conductor	75 Ohms silver plated center conductor

\*-1 indicates gold plating, -4 indicates silver plating, -7 indicates nickel plating.